

FAUQUIER COUNTY WATER AND SANITATION AUTHORITY
7172 KENNEDY ROAD • WARRENTON, VA 20187
PHONE (540) 349-2092 • FAX (540) 347-7689
www.fcwsa.org



HYDRANT METER PERMIT REQUEST

Application Date: _____

Business Name: _____

Business Contact or Representative: _____

Billing Address: _____ Work/Daytime Phone: _____

_____ Home/Evening Phone: _____

_____ Email: _____

Virginia Business License No. (Please Attach Copy): _____

Federal Tax ID No.: _____

Location of Hydrant(s) to Be Used: _____

Specific Purpose of Use: _____

Issued Date: _____ **Expiration Return Date:** _____

Permit Holder has received, read, and agrees to the Hydrant Meter Policy and all terms and conditions of the permit. Violation of the Policy or any specified or implied condition constitutes grounds for immediate revocation of the permit and equipment. Permit Holder agrees to relinquish the meter to Fauquier County Water and Sanitation Authority (FCWSA) at any time.

Customer Signature*

Date

Print Name

*If signing on behalf of a corporation or partnership, please attach a resolution or other document indicating that the party executing this document has the authority to bind the corporation or partnership.

To be completed by FCWSA – Do not write under this line

Permit Number: _____ Account Number: _____

Deposit Received: _____

Inspection Fee Received: _____

Meter Number Issued: _____

Reading of Meter When Issued: _____

TERMS AND CONDITIONS

General

- FCWSA reserves the right to terminate this permit at any time, with or without cause and with or without notice.
- The Permit Holder expressly agrees to indemnify, defend and hold the FCWSA harmless from and against all claims, loss, damage, injury and liability however caused, including any negligence by Permit Holder's agents or employees resulting from, arising out of, or in any way connected with the rental or use of the hydrant meter.
- Any violation of the terms and conditions of the permit shall result in the forfeiture of the deposit or revocation of the permit without notice. Meters must be immediately surrendered to the FCWSA at 7172 Kennedy Road in Warrenton. FCWSA reserves the right to not reissue a hydrant meter to any Permit Holder who has violated any of the terms or conditions of the permit.
- In order to protect the water supply in times of emergency, all hydrant meters may be subject to immediate recall/return in the event of the implementation of the Fauquier County Comprehensive Drought Management and Emergency Preparedness Plan. Continued usage is prohibited by law and is a Class 2 Misdemeanor under Section 18.2-162.1 of the Code of Virginia.

Purpose of Use

- Hydrant meters shall be used as a temporary connection to the FCWSA approved fire hydrants for the purpose of withdrawing water for construction activity, temporary landscaping, and filling water trucks or tanks.
- Water obtained from a hydrant is considered non-potable (not suitable for consumption) and shall not be used for such purposes.
- Hydrant meters are not to be used to supply an irrigation system or to directly fill swimming pools.

Operating Instructions

- The Permit Holder shall fill only at designated fire hydrants identified in the FCWSA Hydrant Meter Maps (<https://www.fcwsa.org/engineering-forms-developer-services>) and specified within this Permit Request. Any new location must be provided to FCWSA within 24 hours of meter relocation.
- The Permit Holder shall not leave the hydrant meter unattended and shall remove the meter from the hydrant at the end of each working day. Failure to do so may result in forfeiture of deposit.
- The Permit Holder will be responsible for establishing an acceptable air gap for all tanks, trucks or vessels into which public water is discharged or provide documentation of an approved A.S.S.E. backflow prevention device necessary to protect the FCWSA public water system. A hose must never be submerged into the water while filling a tank or container. The Permit Holder will be liable if unauthorized use results in a backflow contamination of the distribution system.

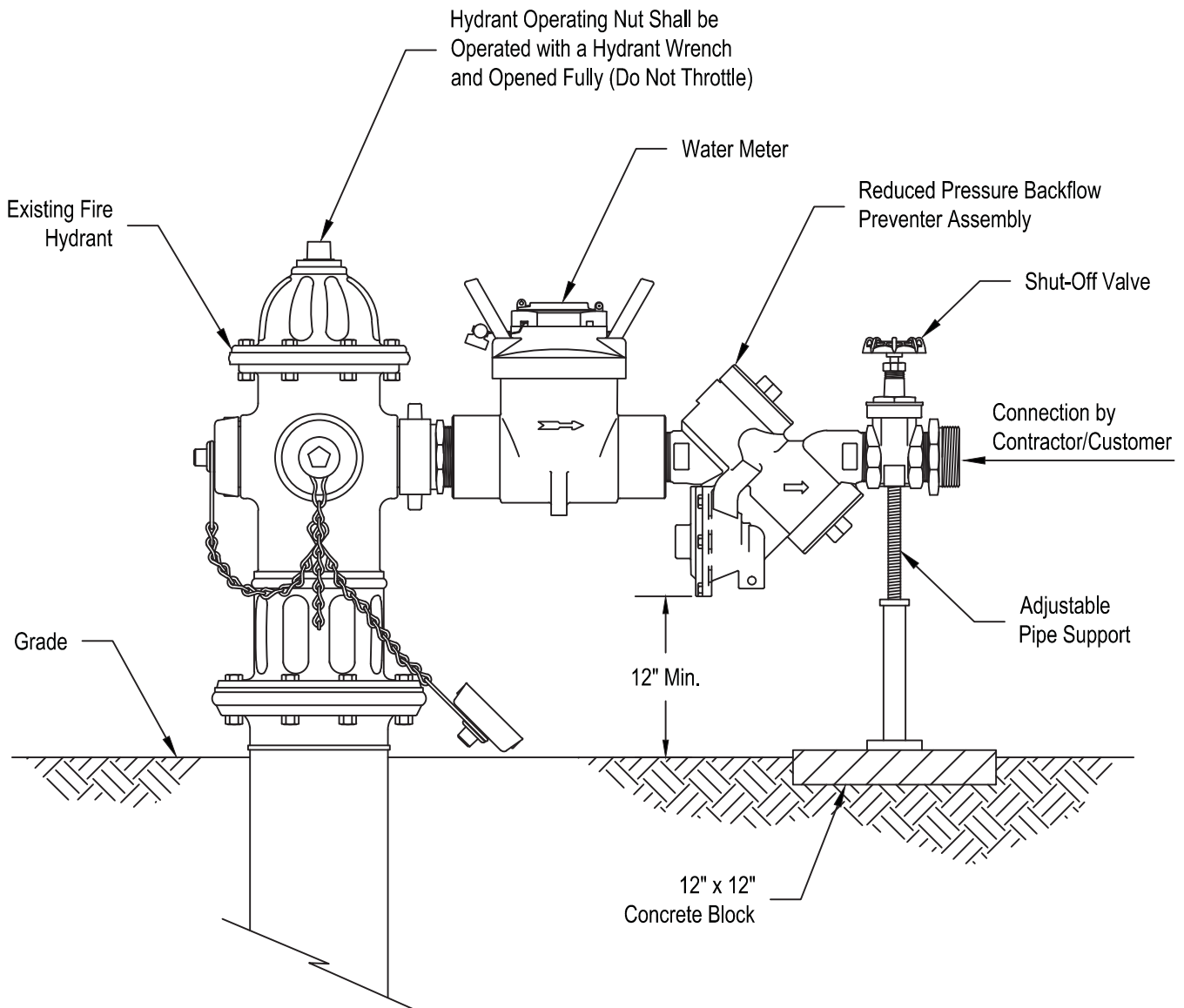
- All FCWSA fire hydrant valves must be opened slowly and fully using a properly sized, specialty hydrant wrench with the hydrant meter operating valve in the closed position prior to use. The flow of water through the meter shall be controlled by opening and closing the hydrant meter operating valve. The Permit Holder shall be liable for repair cost to the fire hydrant if it is not operated properly and leads to damage.
- The hydrant meter shall not be altered in any way and the proper size hose or adapters shall be used by the Permit Holder. Any alterations to the hydrant meter will result in forfeiture of the deposit.
- No hydrant meter shall be used unless temperatures are 35 degrees Fahrenheit or above and rising. When temperatures fall to 35 degrees Fahrenheit, the fire hydrant must be closed; and the hydrant meter shall be disconnected from the hydrant, fully drained, and stored in an environment where temperatures are above 35 degrees Fahrenheit.
- It is the responsibility of the Permit Holder to notify the Authority when the meter is not registering/recording the water usage. Any broken or leaking hydrant meter assembly shall be returned immediately to the Authority for repair.
- All public and private property must be protected while the hydrant is in use.
- Upon becoming aware of a fire fighting effort in the vicinity of the meter location, the hydrant meter shall be immediately disconnected from the hydrant.

Inspections

- All hydrant meters must be returned to FCWSA one (1) year from the date of rental for a condition check, testing, and reading verification by the FCWSA. If this Permit is renewed, the Applicant agrees to return the hydrant meter at successive one-year periods from the date of rental.

Account Status

- A rental deposit in the amount of \$2,000.00 will be charged to lease a hydrant meter from FCWSA, which will be refundable after the permit has been terminated by the Permit Holder or FCWSA. Final bill will be deducted from deposit and credit refunded if applicable.
- The Permit Holder is responsible for paying water usage charges for water consumed from a FCWSA approved fire hydrant at the rates set forth in Volume 2 Part B Section 2.30 of the Operating Code, as amended from time to time.
- The Permit Holder shall report monthly readings by the 15th of every month regardless of usage via fax (540-347-7689) or emailed (customerservice@fcwsa.org) picture to include the meter number and register dial showing usage. The Permit Holder may also physically bring the meter in throughout the year for FCWSA staff to read. Failure to report monthly readings will result in a \$500 penalty and/or revocation of permit.
- FCWSA will charge the Permit Holder for any damages to the hydrant meter while in possession of the Permit Holder other than that attributable to normal wear and tear.
- It is the responsibility of the Permit Holder to secure the hydrant meter in order to prevent theft. The Permit Holder shall reimburse FCWSA for the hydrant meter if it is lost or stolen.



Notes:

1. Fire hydrant water use shall be permitted on a temporary basis where a permanent water connection is not available, subject to the terms and conditions established in Volume 2, Part A, Section 5.5 of the Authority's Operating Code.
2. Start with hydrant and shut-off valve closed. Slowly open the hydrant until the backflow preventer is completely pressurized. After the device has been pressurized, vent all trapped air from both check valves by slightly opening each of the four test cocks. Slowly open the downstream shut-off valve. The hydrant meter assembly is now in service. **Do not close valves on the assembly or discharge line quickly.**
3. Contractor/Customer shall protect the hydrant meter assembly from damage, theft, and misuse.
4. Contractor/Customer is held responsible for any damage to the fire hydrant and infrastructure due to improper use.
5. Broken or damaged hydrant meter assemblies must be reported to the Authority immediately.
6. Contractor/Customer is responsible for any and all water consumption.

WM-05



Fauquier County
Water and Sanitation Authority

Temporary Hydrant Meter Assembly

Not to Scale

Revised: 11/28/17